

DigiPod™ Series

HIGH BRIGHTNESS WINDOW DISPLAY | DP-PW55-3500TNX



WWW.TINNOX.COM.AU | © UFL TECHNOLOGY PTY LTD. All rights reserved.
All specifications and descriptions are subject to change without prior notice. Unauthorized reproduction is strictly prohibited.

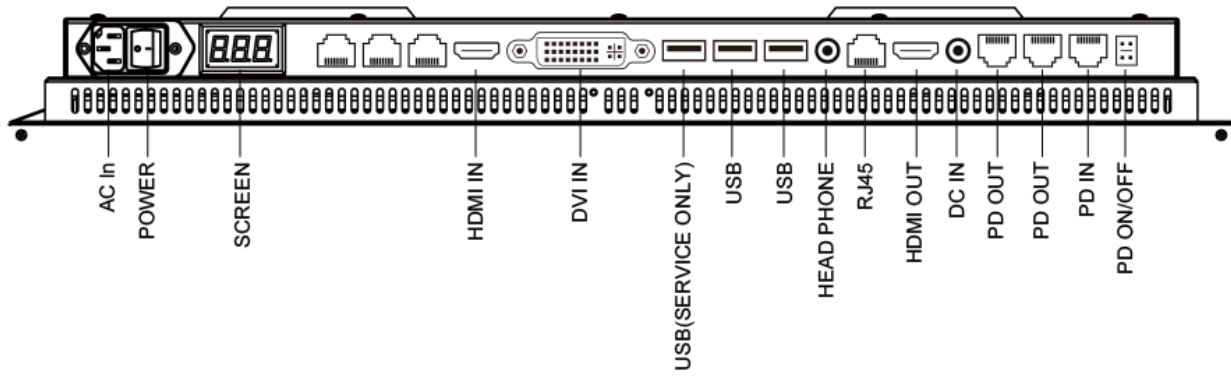
TINNOX

SPECIFICATIONS

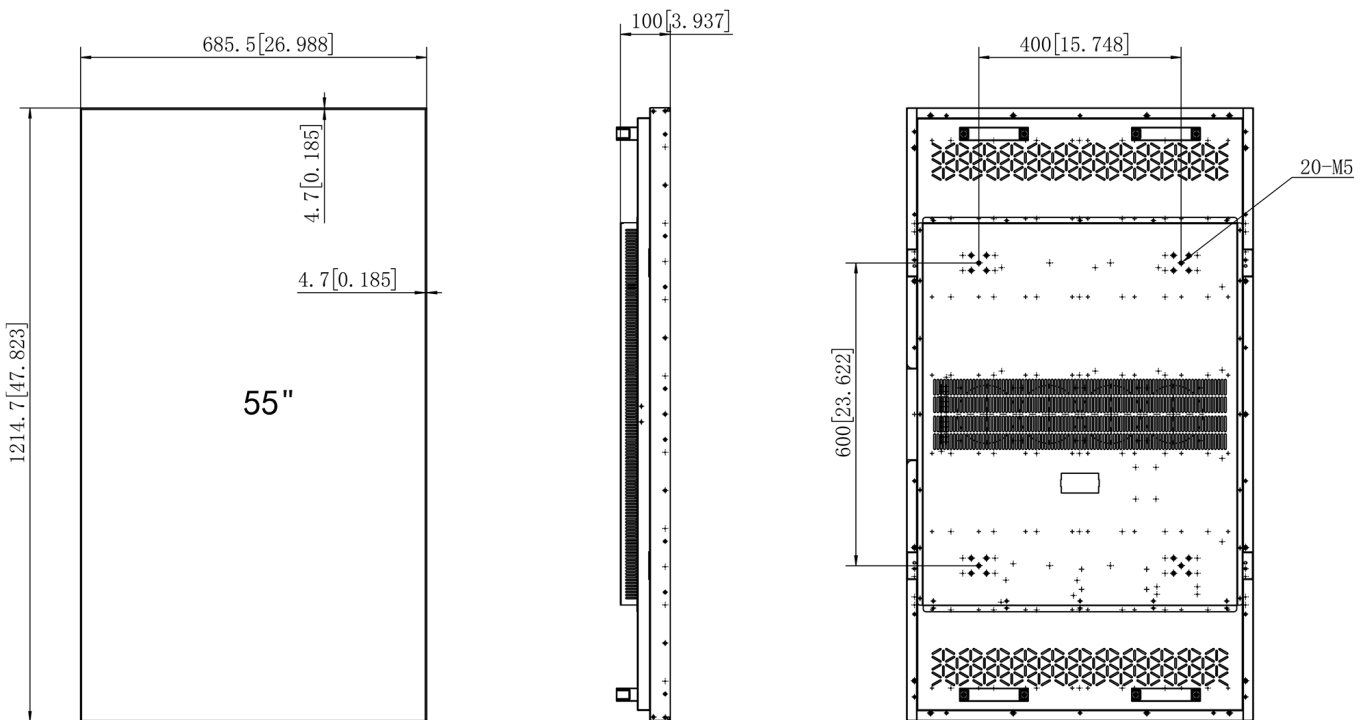
DP-PW55-3500TNX

DISPLAY	LCD Brand/Model	55" AUO
	Brightness (w/o glass)	3500nits
	Resolution	1920*1080
	Contrast Ratio	1300/1
	Light Lifetime (Typ.)	50,000 hours
	Viewing Angle	178°
	Response Time (Typ.)	8ms
	Panel technology	IPS,M+(WRGB)
	Color Depth	10-bit(D), 1.07 Billion colors
	Color Gamut	P3
	Surface Treatment	2H, Reflectance < 2%
	Portrait / Landscape	Yes/Yes
	QWP (Quarter-Wave Plate)	Yes
FUNCTIONS	Ambient Light Sensor	Yes
	Temperature Controller	Yes
	Schedule ON/OFF	Yes (set in software)
	Heat Dissipation Method	Fan cooling system
MECHANICAL	Border Width	4.7mm
	Overall Size	685*1215*100
	Material	Aluminum Structure
	Frame Color	Black
	Packaging Method	Standard Carton Box
	Weight	37KG
POWER	Electricity Supply	Internal
	Rated Voltage	100V-240V ~ 50/60Hz
	Power Consumption	250W
	Power Adapter	MeanWell
ENVIRONMENTAL	Operating Temperature	0 °C to 45 °C (w/o Direct Sunlight)
	Waterproof	No
	Light Hours/Running Time	7/24 hours
INPUT	HDMI 2.1 (HDCP 2.3)	x1
	USB 3.0	x1
	Micro SD Slot	x1
OUTPUT	Audio	x1
	RJ-45	x1
SYSTEM	Operating System	Android 11.0
	Processor	Quad-core A53
	Clock Speed	1.5GHZ
	RAM	DDR4, 2GB
	ROM	Internal 16GB eMMC Flash Memory
	Multimedia	4K video decoder, 30/60fps
CERTIFICATIONS	CE / FCC /RoHS	Yes

INPUT/OUTPUT PORTS



DIMENSIONS



BRACKETS



CEILING MOUNT BRACKET



WALL MOUNT BRACKET



FLOOR TO CEILING MOUNT BRACKET



FLOOR MOUNT BRACKET